



Frontend Components – TSI 1023P-1080 Front Camera

Features:

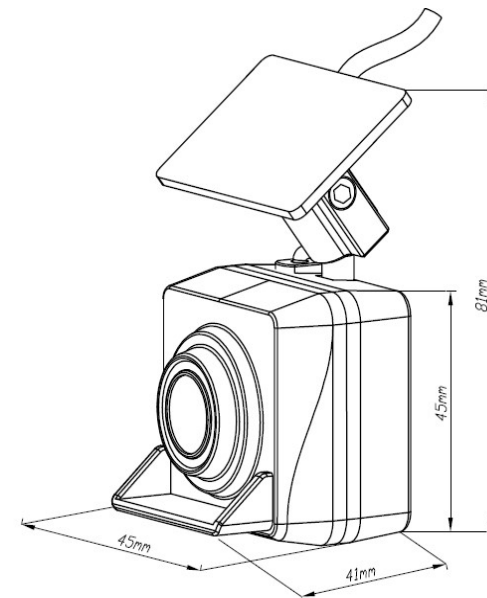
1. IMX385+FH8550 image sensor;
2. Millions of Analog high-resolution(2 Megapixel);
3. Easy installation with 3M sticker;
4. Lightweight and compact size;
5. Wide supply range, support 12V DC $\pm 10\%$, Low power consumption.
6. It's suitable for Sedan.



1080P AHD Camera, 2.8mm Lens (wide angle 105°)



- 1---12VDC (+)
- 2---12VDC/GND (-)
- 3---N/A
- 4---Video





Frontend Components – TSI1023P-1080 Front Camera

Model	TS-1023P-1080
Image Sensor	IMX385+FH8550
TV System	PAL/NTSC
HD-Resolution	2 Mega pixel
Lens optional	2.8mm lens
Effective Pixel Arrey	1280(H) x 960(V)
Min illumination	0.01Lux @(F1.2,AGC ON)
S/N Ratio	More Than 72dB(AGC OFF)
WDR	D-WDR
IR &Infrared LED Range	N/A
Audio fuction	N/A
Horizontal angle of view	2.8mm (105°)
Tilt Adjusting	40°
Power Supply	12V DC \pm 10%
Dimensions	45x41x81mm
Net Weight	100 g
Operational Temperature	-25 ~ +75 ° C
Operational humidity	<95%
Video port	Aircraft Round Connector Plug