



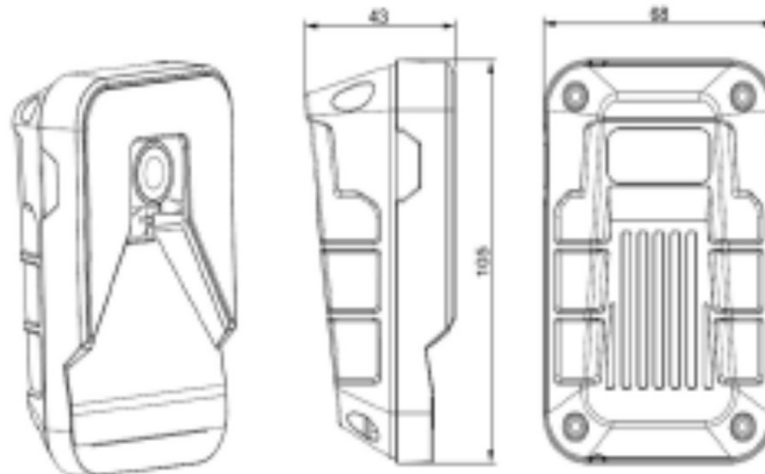
Frontend Components – TSI1234 Front Camera

Features:

1. FH8550 + 1/2.8" CMOS IMX307;
2. Millions of Analog high-resolution(2.0 Mega pixel),
3. Support D-WDR, Video effects can be optimized,
4. Lightweight and compact size;
5. Support 12V DC $\pm 10\%$, Low power consumption.
6. It's suitable for Sedan.



Product Photo



Dimensions



Frontend Components – TSI1234 Front Camera

Model	TS-1234
Image Sensor	FH8550 + 1/2.8" CMOS IMX307
TV System	PAL/NTSC
HD-Resolution	2 Mega pixel
Lens optional	6mm lens
Effective Pixel Arrey	1920(H) x 1080(V)
Min illumination	0.001 Lux
S/N Ratio	> 80dB
WDR	D-WDR
IR &Infrared LED Range	N/A
Audio fuction	N/A
Horizontal angle of view	6mm (H50°)
Tilt Adjusting	Support
Power Supply	12V DC \pm 10%
Dimensions	105*68*43mm
Net Weight	110 g
Operational Temperature	-25 ~ +75 ° C
Operational humidity	20% ~ 80%%
Video Interface	4PIN Aircraft Round Connector Plug