

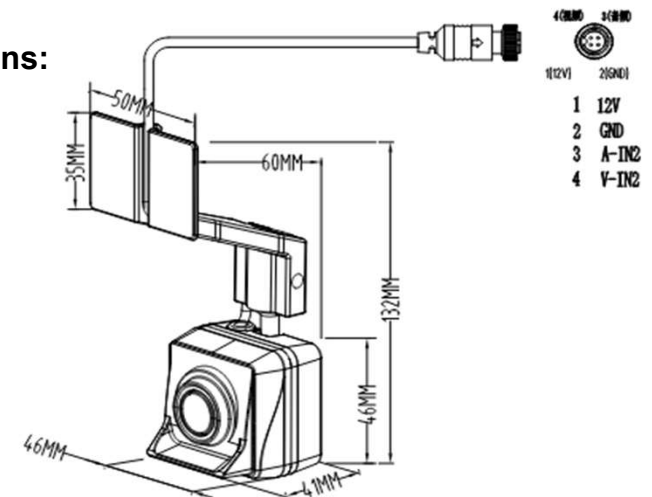


Frontend Components – CAMERA TS-1135

Model	TS-1135
Image Sensor	Nextchip2431H+Sony IMX225LQR
TV System	PAL/NTSC
HD-Resolution	1.3 Mega pixel
Lens optional	2.8mm lens
Effective Pixel Array	1280(H) x 960(V)
Min illumination	Color 0.01 Lux@F1.2 Black and white 0.001 Lux
S/N Ratio	More Than 72dB(AGC OFF)
WDR	D-WDR
IR &Infrared LED Range	N/A
Audio fuction	N/A
Horizontal angle of view	2.8mm (105°)
Tilt Adjusting	40°
Power Supply	12V DC ±10%
Dimensions	45x41x108mm
Net Weight	150 g
Weatherproof/Waterproof	N/A
Operational Temperature	-25 ~ +75 ° C
Operational humidity	<95%
vedio port	Aircraft Round Connector Plug



Dimensions:



Features:

- 1.1/3" SONY IMX225 CMOS image sensor;
2. Millions of Analog high-resolution(1.3 Mega pixel);
3. Easy installation with 3M sticker;
4. Lightweight and compact size;
5. Wide supply range, support 12V DC ±10%, Low power consumption.
6. It's suitable for Buses.